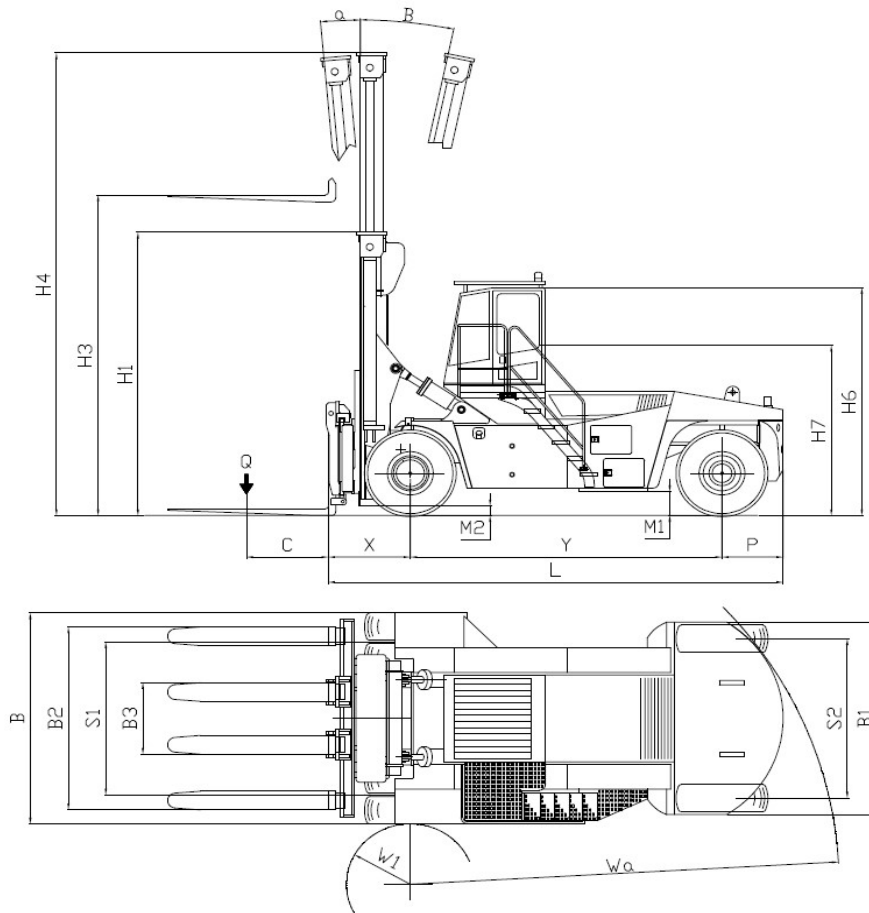


FT 33-12

TECHNICAL SPECIFICATIONS				Metric		
1	Lifting Capacity	Q	Max Capacity	Kg	33000	
2	Load Centre	C	Distance	mm	1225	
3	Dimensions	h3	Fork max height	mm	4100	
4		a / b	Mast tilting (Forward / Reverse)	°	5/ 12	
5		y	Wheel base	mm	4750	
6		S1 / S2	Wheel center F/R	mm	2655 /2400	
7		m1	Ground clearance mid track (loaded)	mm	400	
8		m2	Ground clearance lowest point (loaded)	mm	250	
9		L1	Length of truck (w/out attachment)	mm	6800	
10		L2	Length of truck (with attachment)	mm	9000	
11		B / B1	Overall Width (Front / Rear)	mm	3500 / 2800	
12		h1	Closed Mast Height	mm	4300	
13		h4	Open Mast Height	mm	6300	
14		h6	Cabin Height (overhead guard)	mm	3800	
15		h7	Seat Height	mm	2700	
16		P	Rear Overhang	mm	900	
17		W1 / Wa	Turning radius (Inside / Outside)	mm	975/6800	
18	x	Distance from C/L of front axle to Face of Machine	mm	1150		
21	Speeds		Travel With / Without Load	Km/h	24/25	
22			Lift With / Without Load	m/s	0,2/0,26	
23			Lowering With / Without Load	m/s	0,25/0,21	
24	Tires		V = Solid - L = Pneum	F / R	L / L	
25			Size Front		(4) 16.00 x 25 - 28 PR	
26			Size Rear		(2) 16.00 x 25 - 28 PR	
27			Inflation Pressure	bar	10	
28			Ground pressure	kg/cm ²	9,5	
29	Max. Drawbar pull		Loaded	daN	32000	
30	Max. Gradient		Loaded	%	25	
31	Total Weight		Unloaded	Kg	45000	
32	Weight on axle	F / R	Loaded	Kg	71000 / 7000	
33		F / R	Unloaded	Kg	22000 / 23000	
34	Brakes	Front	Pedal servohydraulic		Wet disc brakes	
35		Rear			Dry disc brakes (Opt.)	
36		Parking	Mechanical		Dry disc on axle shaft	
37	Engine		Type		Diesel	
38			Manufacturer / Type		Volvo TAD870VE Tier 4(Volvo TAD840VE Tier3)	
39			Continuous power	kW/hp	160 / 218	
40			Revolutions per minute	rpm	2200	
41			Number of Cylinders / Displacement	cm ³	6 / 7800	
42			Specific fuel consumption	g/Kwh	207	
43			Effective fuel consumption	l/h	15	
44		Alternative engine		Brand	Cummins QSB 6.7 Tier3	
45		Batteries		Voltage / Capacity	V / Ah	24 / 150
46		Steering		Hydraulic - Servo assisted		Oscillating monocylinder ASF243N
47	Drive axle		Brand		KESSLER Model D91	
48			Type		With planetary reducer hub and removable half-shaft	
49	Transmission		Brand		DANA32000	
50			Type		HYDRODYNAMIC WITH TORQUE CONVERTER	
52	Gear speeds		Forward / Reverse	N°	4 / 4	
53	Hydraulic Pressure		Working	bar	230	
54	Fluid Capacities		Hydraulic oil	Liter	580	
55			Fuel	Liter	420	
56	Noise level		Inside Cabin	db (A)	72	
57	Stability Factor		Static		1,5	
58	Controls		Sevoassisted (Type)		Multifunctional Joystick	
59	Cabin configuration				Rear high mounted panoramic cabin	

FT 33 - 12



MAIN DIMENSIONS				
Q	Max Capacity		Kg	Metric
C	Distance from Face of Machine to Load Center		mm	33000
x	Distance from C/L of Front Axle to Face of Machine		mm	1200
y	Wheel base		mm	1150
P	Rear Overhang		mm	4750
L1	Length of truck (w/out attachment)		mm	900
L2	Length of truck (with attachment)		mm	6800
h3	Fork max Height		mm	9000
h1	Closed Mast Height		mm	4100
h4	Open Mast Height		mm	4300
h6	Cabin Height		mm	6300
h7	Seat Height		mm	3800
m1	Ground clearance midtrack (loaded)		mm	2700
m2	Ground clearance lowest point (loaded)		mm	400
a / b	Mast tilting (Forward / Reverse)		°	250
B / B1	Overall Width (Front / Rear)		mm	5/ 12
S1 / S2	Wheel center F/R		mm	3500 / 2800
W1 / Wa	Turning radius (Inside / Outside)		mm	2655 / 2400
B3/B2	width open / close		mm	975/6800
				2950/1150